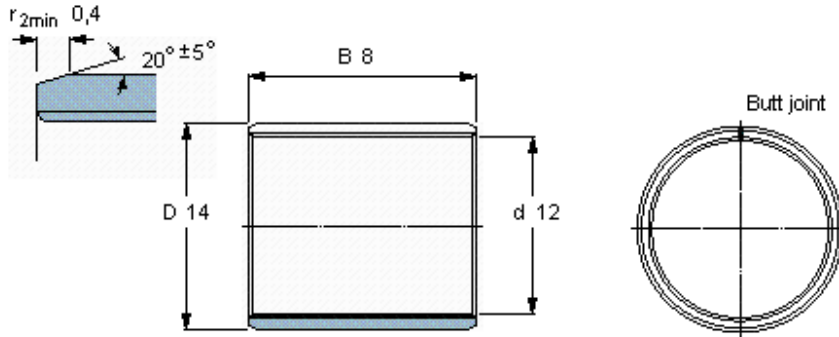


Composite dry sliding bushings, metric dimensions

Principal dimensions			Basic load ratings		Mass	Designation
d	D	B	dynamic C	static C0		
mm	14	8	kN		kg	-
12			7,65	24	0,0024	PCM 121408 E



Specific load factor K 80
Material constant K_M 480